



# Technical Specification: Curtain Walling

*“Solutions for the modern world”*

Providing thermal and weather performance this Curtain Walling system is designed to offer a flexible solution to façade cladding.

The profiles can be used to create a flat, faceted, curved or angled façade using mullion and transom designs.

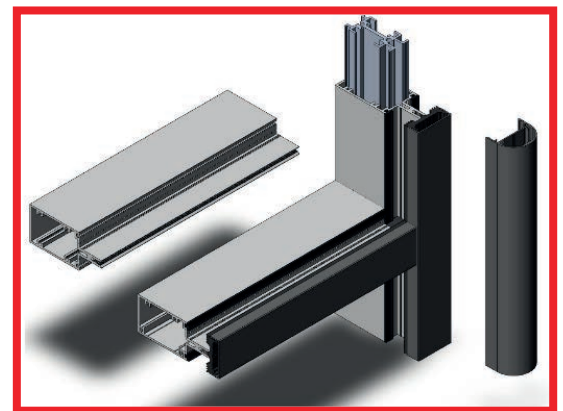
Ideal for installation in **public buildings, offices, leisure facilities** and **domestic** applications, Curtain Walling maximises natural light into common areas and creates impressive building facades. Compatible with Kestrel Window and Door systems, the suite provides a complete glazing solution for refurbishment and new build buildings and dwellings.

## Design Options:

- Slim 50mm sight lines
- 75, 100 or 125mm Box & Plate Sections
- 50, 75, 100, 125, 150 or 175mm Solid Box Sections
- Bull nose, Aero or Flat Capping Options
- Co-Extruded Pressure Plate
- Reinforcement Profiles
- Compatible roofing system

## Design Standards

- CWC Test
- Air Permeability – 600pa
- Water Tightness – 600pa
- Wind Resistance: Serviceability – 1500pa
- Wind Resistance: Static – 2250pa
- BS EN 13830-2003



|                   |            |
|-------------------|------------|
|                   | <b>All</b> |
| Maximum Height    | **         |
| Jointing          | Mechanical |
| Externally Glazed | ✓          |
| Glazing Thickness | 6mm – 28mm |
| U-Value           | **         |

*\*\* To be calculated in accordance with individual site conditions*

**KESTREL**  
ALUMINIUM SYSTEMS

Due to Kestrel Aluminium Systems' policy of continued product development and reserves the right to alter any of the specifications in this document without prior notice.

**Kestrel Aluminium Systems Ltd**  
Website: [www.kestrelaluminium.co.uk](http://www.kestrelaluminium.co.uk)  
Email: [info@kestrelaluminium.co.uk](mailto:info@kestrelaluminium.co.uk)

**180 Rupert Street, Aston, Birmingham, B7 5DT**  
Tel: 0121 333 3575  
Fax: 0121 333 5335



## About us:

Kestrel Aluminium Systems offers fenestration solutions to the Fabricator, Contractor and Specifications markets.

## We pride ourselves on:

- Excellent customer service
- Quality Technical Support
- Quick order completion
- Efficient purchasing process

**KESTREL**  
**ALUMINIUM SYSTEMS**

**Kestrel Aluminium Systems Ltd**  
Website: [www.kestrelaluminium.co.uk](http://www.kestrelaluminium.co.uk)  
Email: [info@kestrelaluminium.co.uk](mailto:info@kestrelaluminium.co.uk)

**180 Rupert Street, Aston, Birmingham, B7 5DT**

Tel: 0121 333 3575

Fax: 0121 333 5335